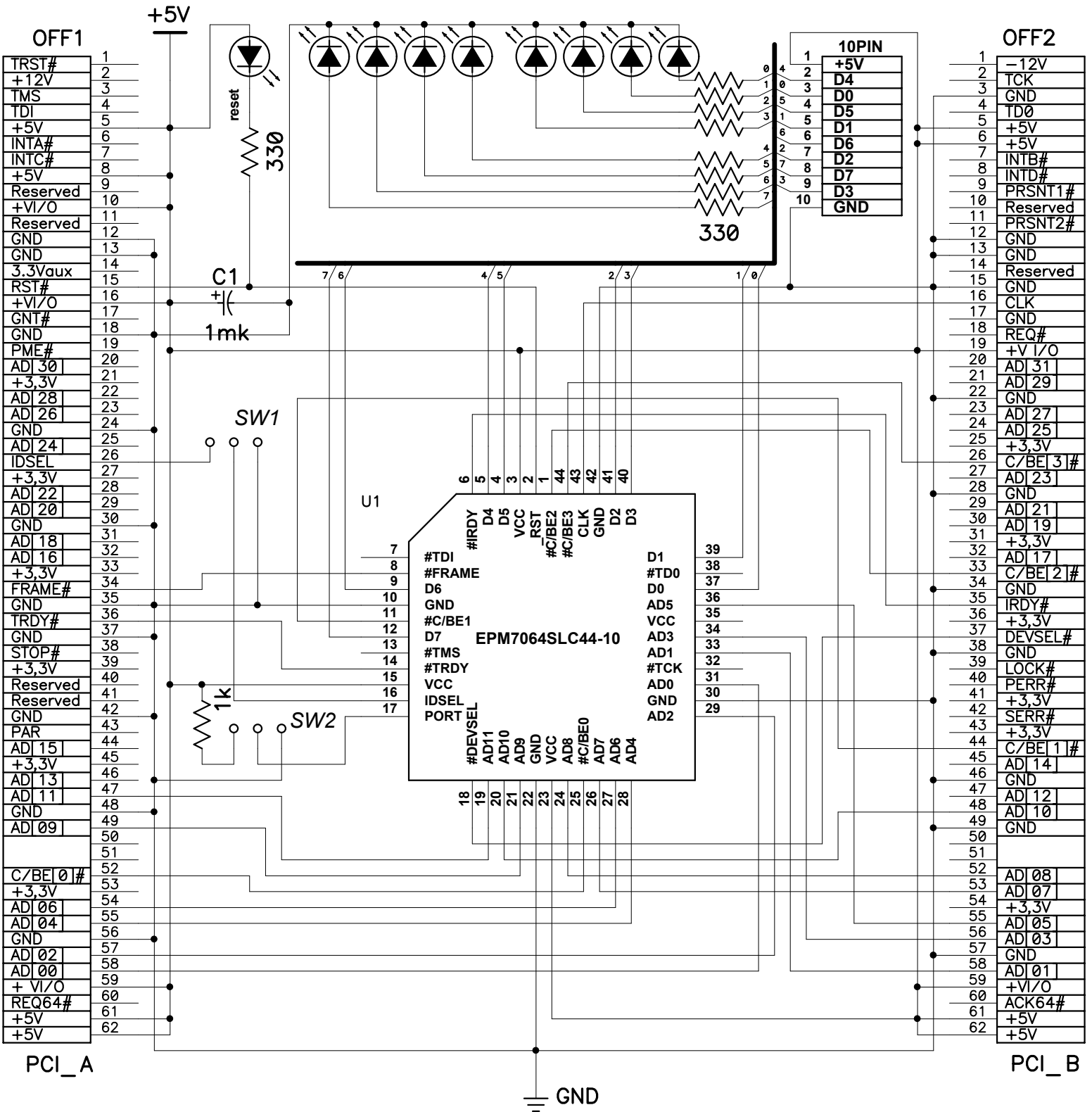


Диагностическая плата
m-POST Card PCI



OFF1	1	TRST#
	2	+12V
	3	TMS
	4	TDI
	5	+5V
	6	INTA#
	7	INTC#
	8	+5V
	9	Reserved
	10	+V I/O
	11	Reserved
	12	GND
	13	GND
	14	3.3Vaux
	15	RST#
	16	+V I/O
	17	GNT#
	18	GND
	19	PME#
	20	AD 30
	21	+3.3V
	22	AD 28
	23	AD 26
	24	GND
	25	AD 24
	26	IDSEL
	27	+3.3V
	28	AD 22
	29	AD 20
	30	GND
	31	AD 18
	32	AD 16
	33	+3.3V
	34	FRAME#
	35	GND
	36	TRDY#
	37	GND
	38	STOP#
	39	+3.3V
	40	Reserved
	41	Reserved
	42	GND
	43	PAR
	44	AD 15
	45	+3.3V
	46	AD 13
	47	AD 11
	48	GND
	49	AD 09
	50	
	51	
	52	C/BE 0 #
	53	+3.3V
	54	AD 06
	55	AD 04
	56	GND
	57	AD 02
	58	AD 00
	59	+V I/O
	60	REQ64#
	61	+5V
	62	+5V

OFF2	1	-12V
	2	TCK
	3	GND
	4	TD0
	5	+5V
	6	+5V
	7	INTB#
	8	INTD#
	9	PRSNT1#
	10	Reserved
	11	PRSNT2#
	12	GND
	13	GND
	14	Reserved
	15	GND
	16	CLK
	17	GND
	18	REQ#
	19	+V I/O
	20	AD 31
	21	AD 29
	22	GND
	23	AD 27
	24	AD 25
	25	+3.3V
	26	C/BE 3 #
	27	AD 23
	28	GND
	29	AD 21
	30	AD 19
	31	+3.3V
	32	AD 17
	33	C/BE 2 #
	34	GND
	35	IRDY#
	36	+3.3V
	37	DEVSEL#
	38	GND
	39	LOCK#
	40	PERR#
	41	+3.3V
	42	SERR#
	43	+3.3V
	44	C/BE 1 #
	45	AD 14
	46	GND
	47	AD 12
	48	AD 10
	49	GND
	50	
	51	
	52	AD 08
	53	AD 07
	54	+3.3V
	55	AD 05
	56	AD 03
	57	GND
	58	AD 01
	59	+V I/O
	60	ACK64#
	61	+5V
	62	+5V

PCI_A

PCI_B

GND

POST Card PCI

