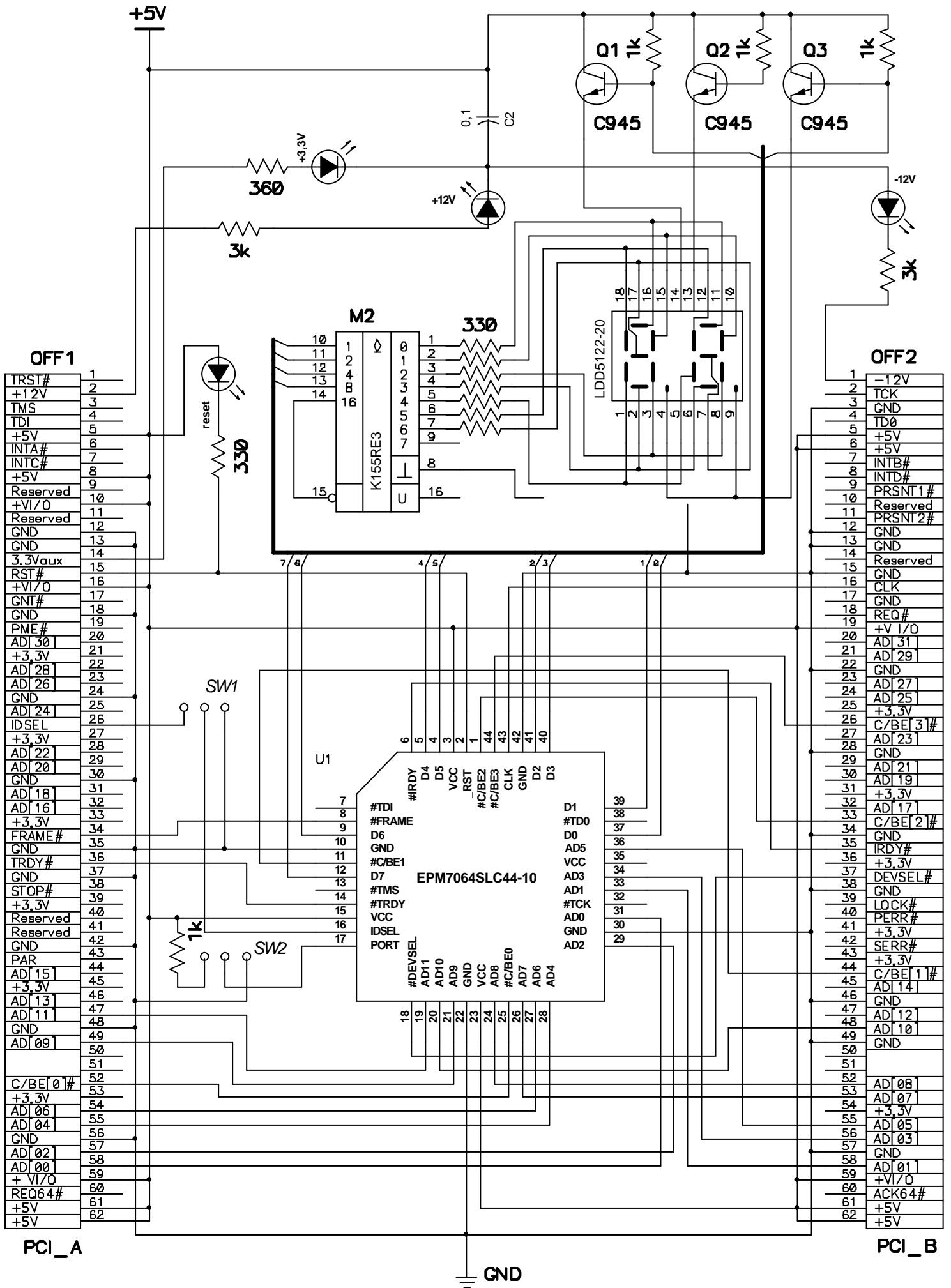


# POST Card PCI

<http://www.evm.wallst.ru>



**OFF 1**

1	TRST#
2	+12V
3	TMS
4	TDI
5	+5V
6	INTA#
7	INTC#
8	+5V
9	Reserved
10	+VI/O
11	Reserved
12	GND
13	GND
14	GND
15	3.3Vaux
16	RST#
17	+VI/O
18	GNT#
19	GND
20	PME#
21	AD130
22	+3.3V
23	AD128
24	AD126
25	GND
26	AD124
27	IDSEL
28	+3.3V
29	AD122
30	AD120
31	GND
32	AD118
33	AD116
34	+3.3V
35	FRAME#
36	GND
37	TRDY#
38	GND
39	STOP#
40	+3.3V
41	Reserved
42	Reserved
43	GND
44	PAR
45	AD115
46	+3.3V
47	AD113
48	AD111
49	GND
50	AD109
51	
52	C/BE10#
53	+3.3V
54	AD106
55	AD104
56	GND
57	AD102
58	AD100
59	+VI/O
60	REQ64#
61	+5V
62	+5V

**OFF 2**

1	-12V
2	TCK
3	GND
4	TD0
5	+5V
6	+5V
7	INTB#
8	INTD#
9	PRSENT1#
10	Reserved
11	PRSENT2#
12	GND
13	GND
14	Reserved
15	GND
16	CLK
17	GND
18	REQ#
19	+V I/O
20	AD131
21	AD129
22	GND
23	AD127
24	AD125
25	+3.3V
26	C/BE13#
27	AD123
28	GND
29	AD121
30	AD119
31	+3.3V
32	AD117
33	C/BE12#
34	GND
35	IRDY#
36	+3.3V
37	DEVSEL#
38	GND
39	LOCK#
40	PERR#
41	+3.3V
42	SERR#
43	+3.3V
44	C/BE11#
45	AD114
46	GND
47	AD112
48	AD110
49	GND
50	GND
51	
52	AD108
53	AD107
54	+3.3V
55	AD105
56	AD103
57	GND
58	AD101
59	+VI/O
60	ACK64#
61	+5V
62	+5V

PCI\_A

PCI\_B

GND