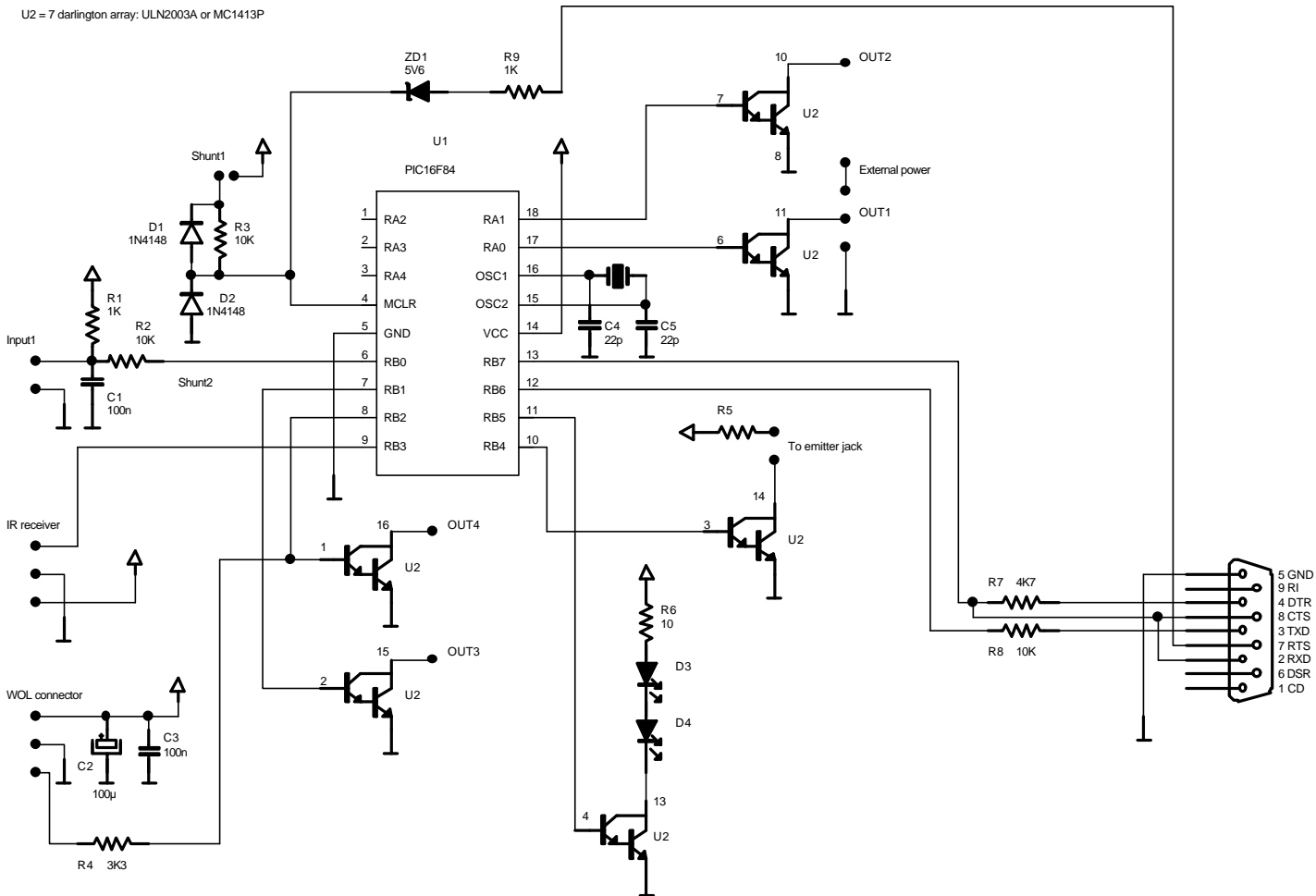


Shunt1: ON for normal operation, OFF for in circuit programming

U2 = 7 darlington array: ULN2003A or MC1413P



- 5 GND
- 9 RI
- 4 DTR
- 8 CTS
- 3 TXD
- 7 RTS
- 2 RXD
- 6 DSR
- 1 CD